



Molded-Stone® Serv-A-Sink®
Counter-Top Drop-In Laundry Tub

FEATURES

• **DL-1 Counter-Top Drop-In Serv-A-Sink®**

Model DL-1 is designed to fit into a 23 1/8" x 20 7/8" radiused corner countertop cutout and has a self rimming flange. Unit is rendered watertight around the flange edge by applying silicone sealant or equivalent (supplied by others) to the underside of the flange rim. Unit is supplied with four (4) corner looking bars and screws for tightening into integrally molded mounting legs, and against the underside of the countertop.

Model DL-1 has an overall outside dimension of 24 1/2" x 22" x 13 1/2", and inside compartment dimension of 22 1/8" x 17" x 12 3/4". DL-1 is supplied with 4" or 8" knockout center set faucet holes which are field drilled.

NOTES

OPTIONS

- Deck type faucet (4" center set) with 6 3/4" spout. (A-1)
- Overflow pipe with "O" ring to fit 1 1/2" strainer. (A-2)
- Polypropylene faucet block, 5 1/8" x 1 1/2" x 1 1/4" for installing clamp-on or integral clamp faucets to deck to accept over head water supplies. (A-3)
- MOLDED-STONE® Serv-A-Sink® cover with integrally molded contoured hand grip. White color is standard. (A-6)
- Faucet for top supplies. Clamps on with swing spout and angled nose end. (A-17)
- Deck type faucet (8" center set) with spout. (A-18)

* Not furnished by Fiat Products. Description for specification purposes only.

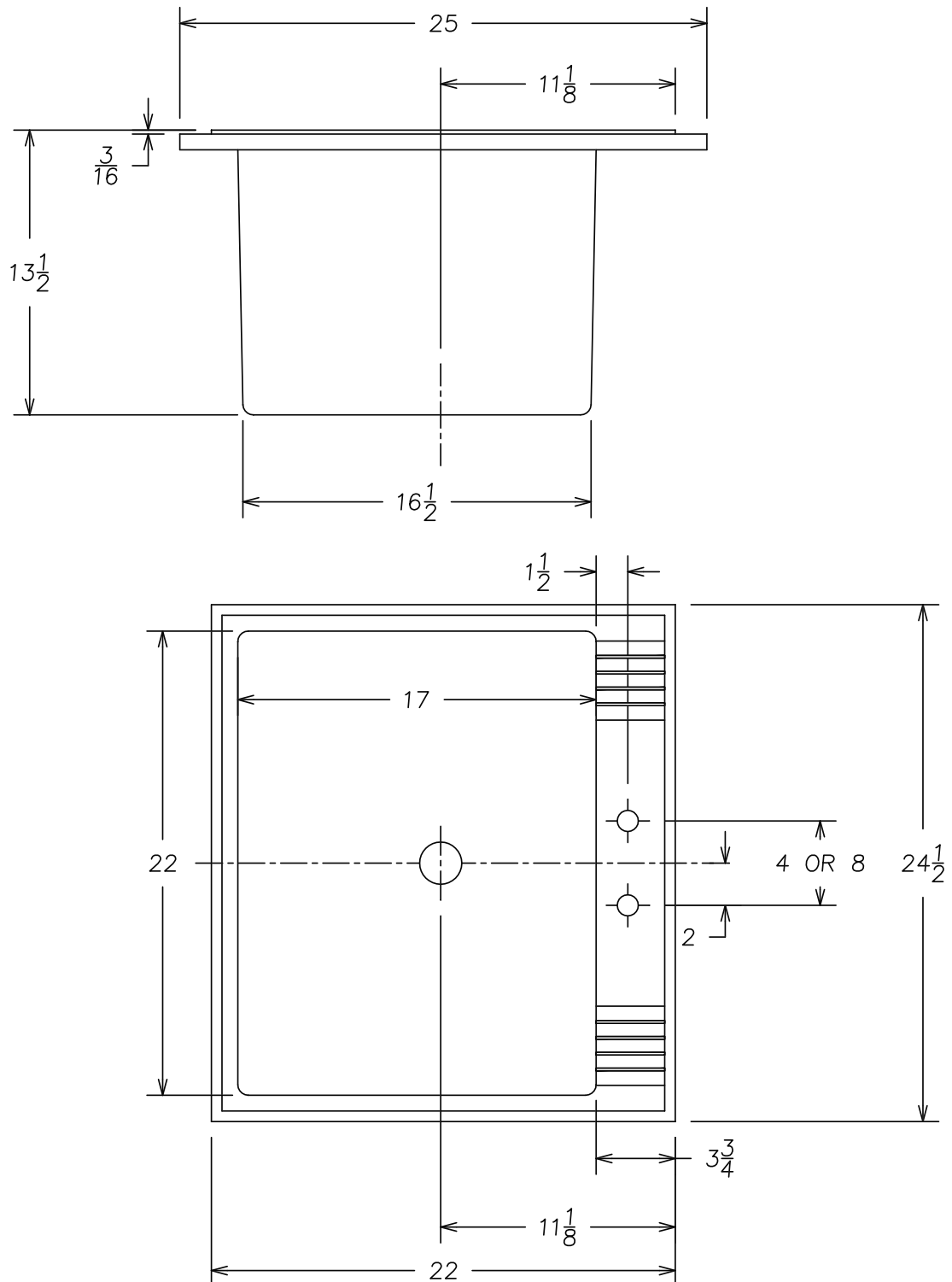


FIAT PRODUCTS
A CRANE PLUMBING COMPANY

MOLDED-STONE® LAUNDRY TUBS

DL-1

Molded-Stone® Serv-A-Sink® Counter-Top Drop-In Laundry Tubs



 **FIAT PRODUCTS**
A CRANE PLUMBING COMPANY

IMPORTANT: Roughing-in dimensions may vary 1/2" and are subject to change or cancellation without prior notice.

CR/PL© 11/02 Printed in U.S.A